

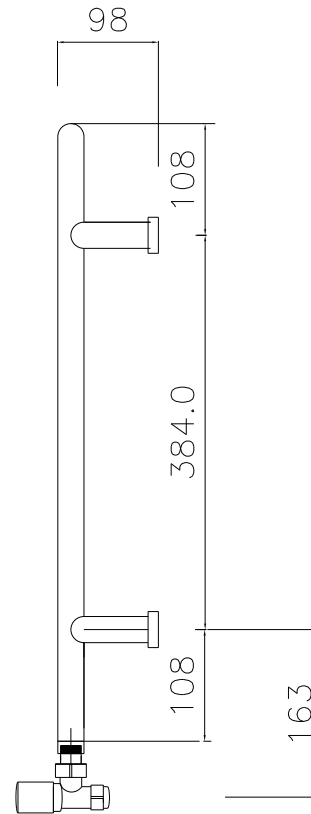
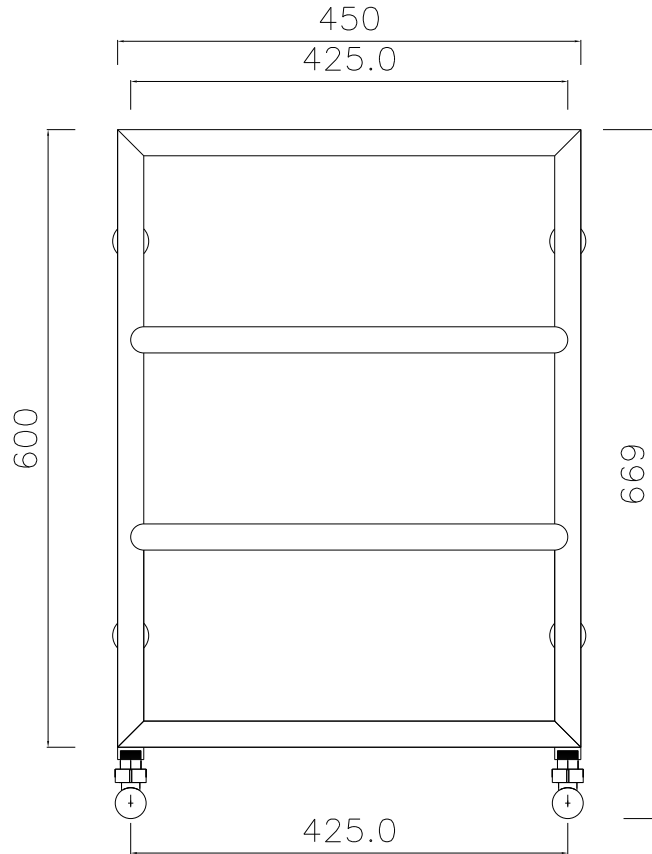
DO NOT SCALE

IF IN DOUBT ASK

THIRD ANGLE PROJECTION

THIS DRAWING AND DESIGN IS THE PROPERTY OF  
BP Heating Ltd  
AND MUST NOT BE USED FOR ANY PURPOSE  
WHATSOEVER WITHOUT THEIR SPECIFIC WRITTEN CONSENT

Code	Width	Height	Btu's @ 50°c	Watts @ 50°c
BPTR4/45C	450	600	540	158



FORMAT : A4

ISSUE	DATE	SIGN	GENERAL TOLERANCES UNLESS OTHERWISE STATED		
			DECIMAL PLACES	IMPERIAL	METRIC
0	±	0.200"	±	5.0	
1	±	0.080"	±	2.0	

BP Heating Ltd

TITLE				
Troon 450mm x 600mm Code- BPTR4/45C				
DRAWN	NAME	DATE	SCALE	DRAWING No
CHECKED	B. PARRY	27/10/2009		0066