

1

2

3

4

5

6

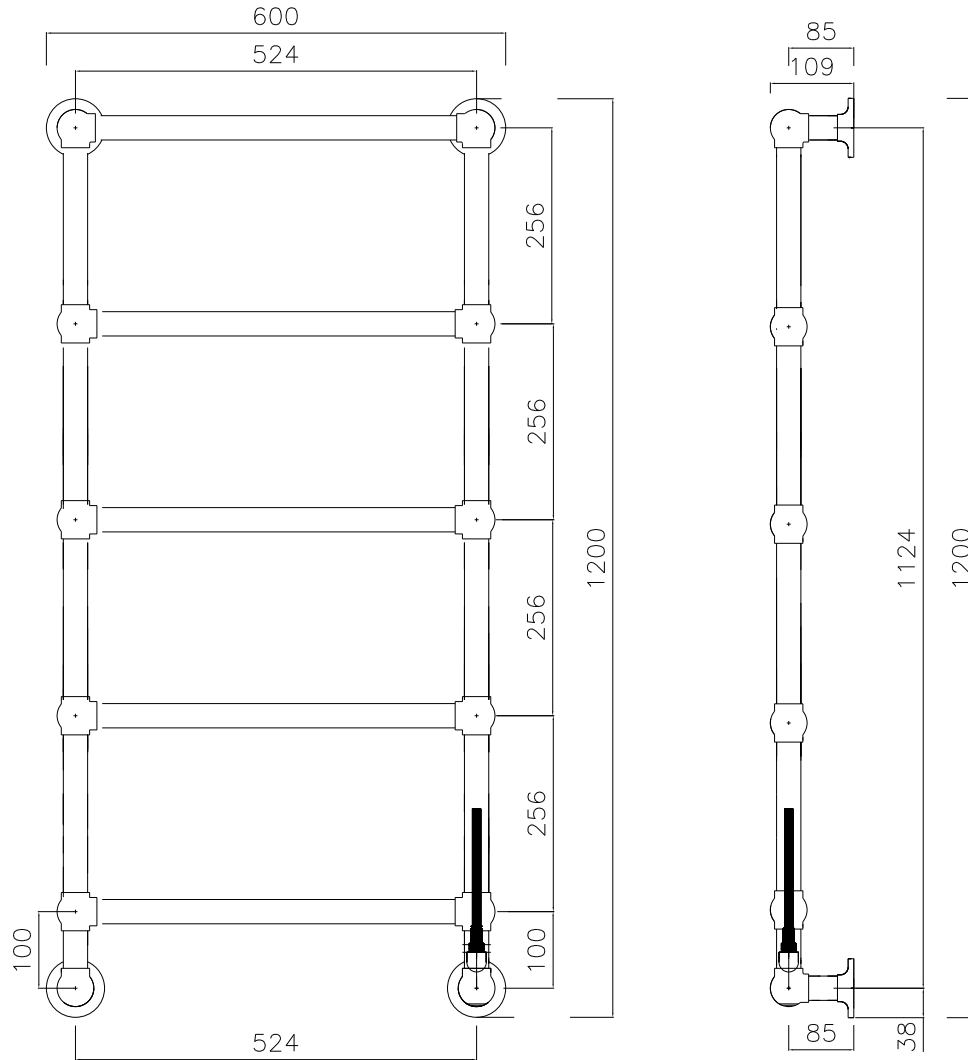
7

DO NOT SCALE

IF IN DOUBT ASK

THIRD ANGLE PROJECTION

THIS DRAWING AND DESIGN IS THE PROPERTY OF
BP-HEATING
AND MUST NOT BE USED FOR ANY PURPOSE
WHATSOEVER WITHOUT THEIR SPECIFIC WRITTEN CONSENT



FORMAT : A4

ISSUE	DATE	SIGN	GENERAL TOLERANCES UNLESS OTHERWISE STATED		
			DECIMAL PLACES	IMPERIAL	METRIC
			0	± 0.200"	± 5.0
			1	± 0.080"	± 2.0

BP-HEATING

TITLE				
London 1200x600				
	NAME	DATE	SCALE	DRAWING No
DRAWN	B. PARRY			0240
CHECKED				

1

2

3

4

5

6

7

A

B

C

D

E

A

B

C

D

E