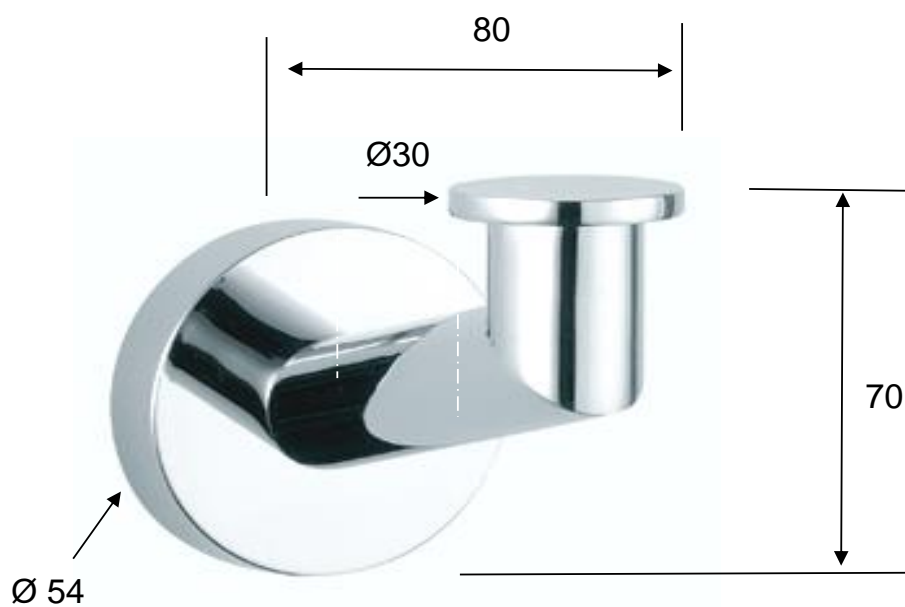


# Sanova

code SANHIAP960

Telefon : 0510-48 58 90  
E-post: info@sanova.se



## **MATERIALS**

CHROME PLATED BRASS

## **CHROME PLATING**

UNI EN 248