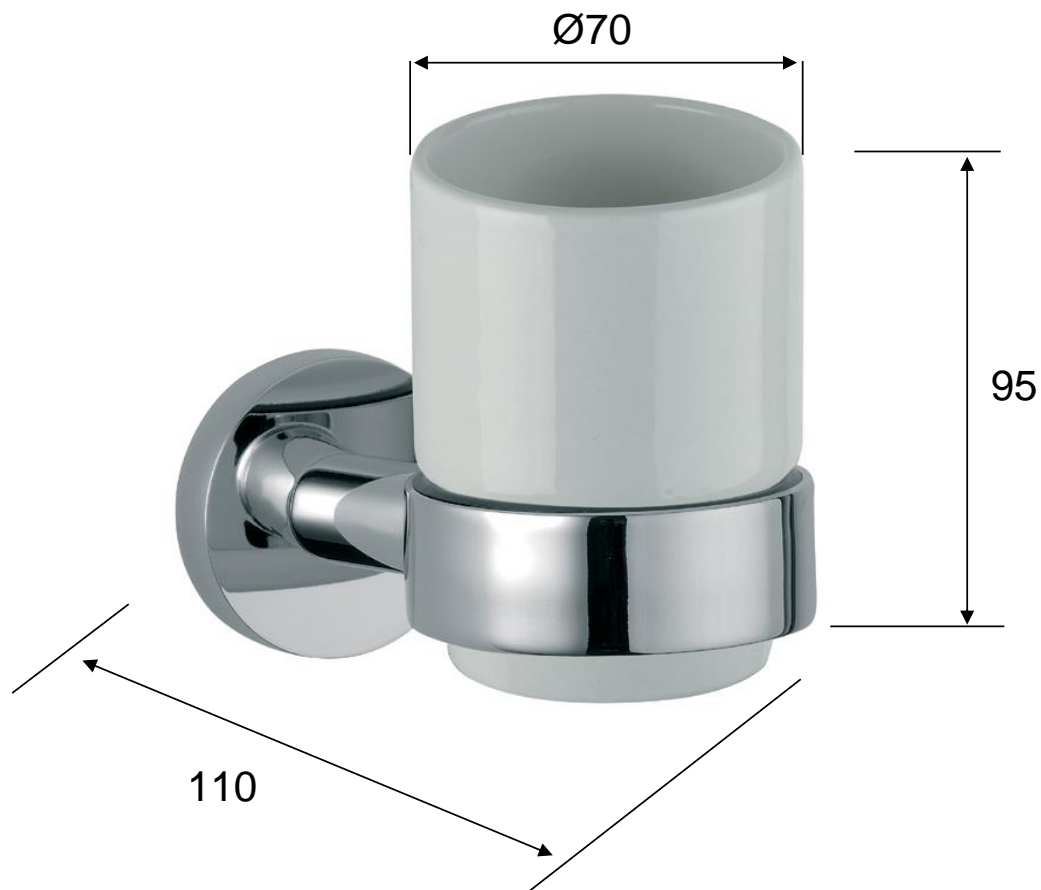


# Sanova

code SANHIPB940

Telefon : 0510-48 58 90

E-post: info@sanova.se



## **MATERIALS**

CHROME PLATED BRASS

CERAMICS

## **CHROME PLATING**

UNI EN 248