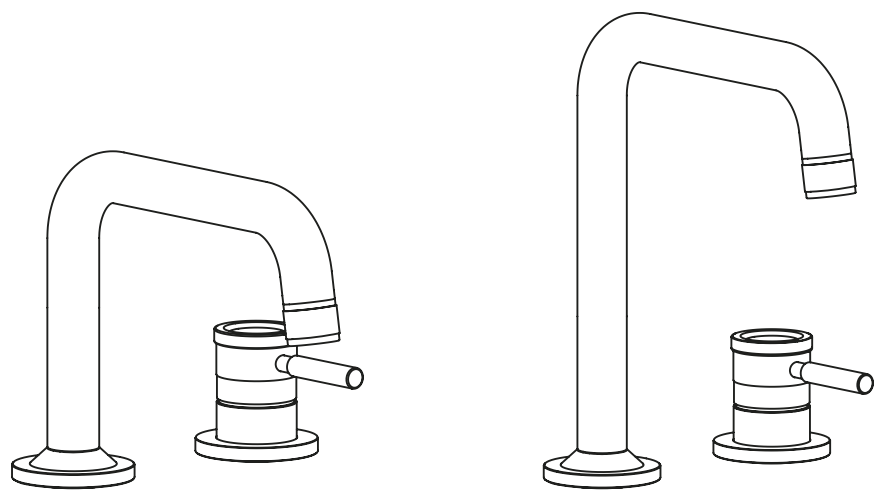


Max static pressure: 10 bar

Recommended working pressure*: 1 - 5 bar

*in order to fulfil the functional long life requirements listed by the standard EN817N

L4H



A

