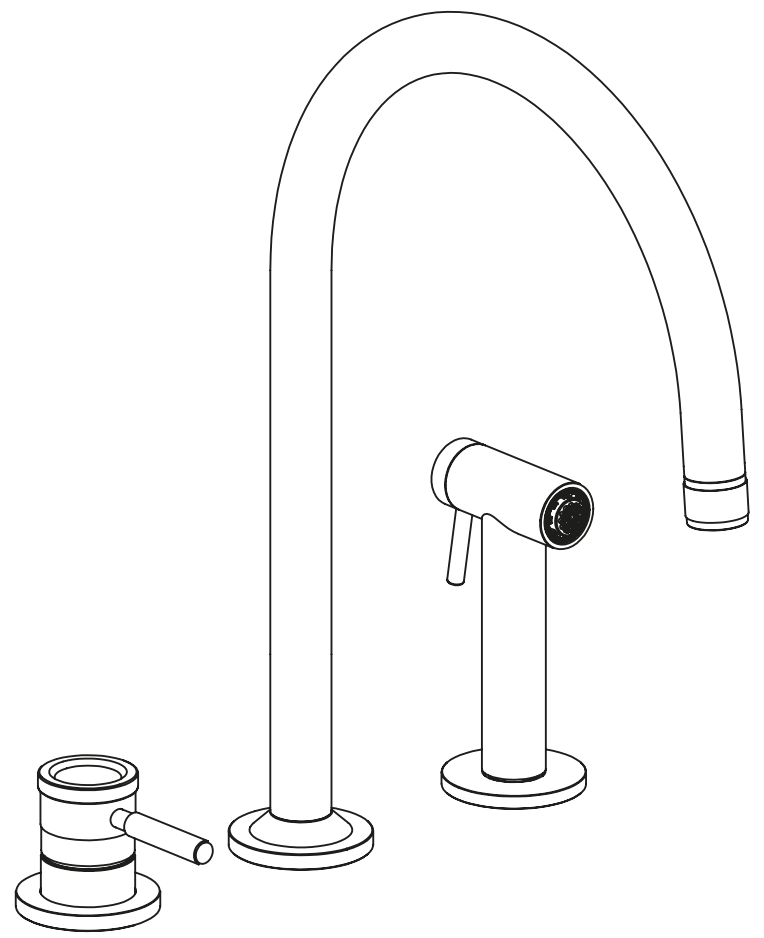
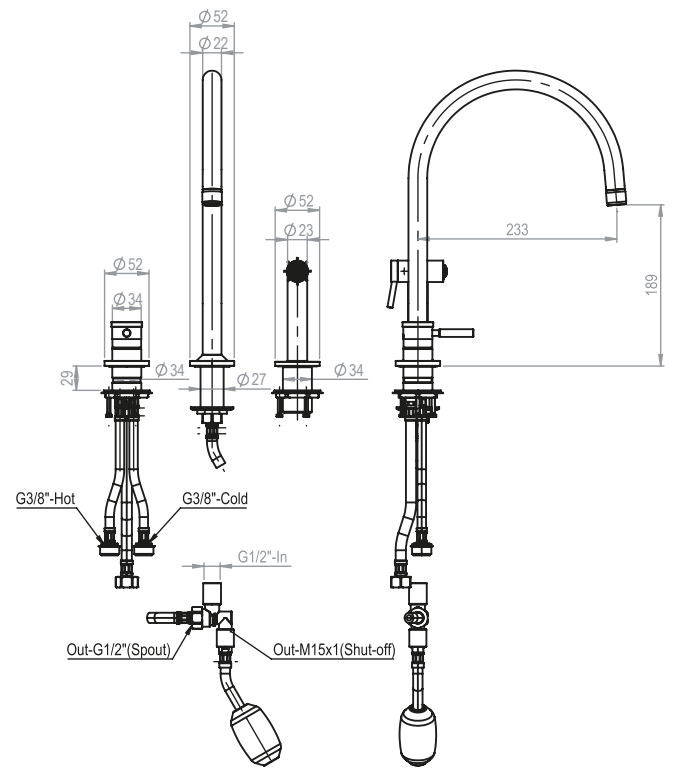


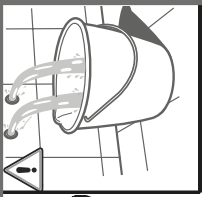
Max static pressure: 10 bar

Recommended working pressure*: 1 - 5 bar

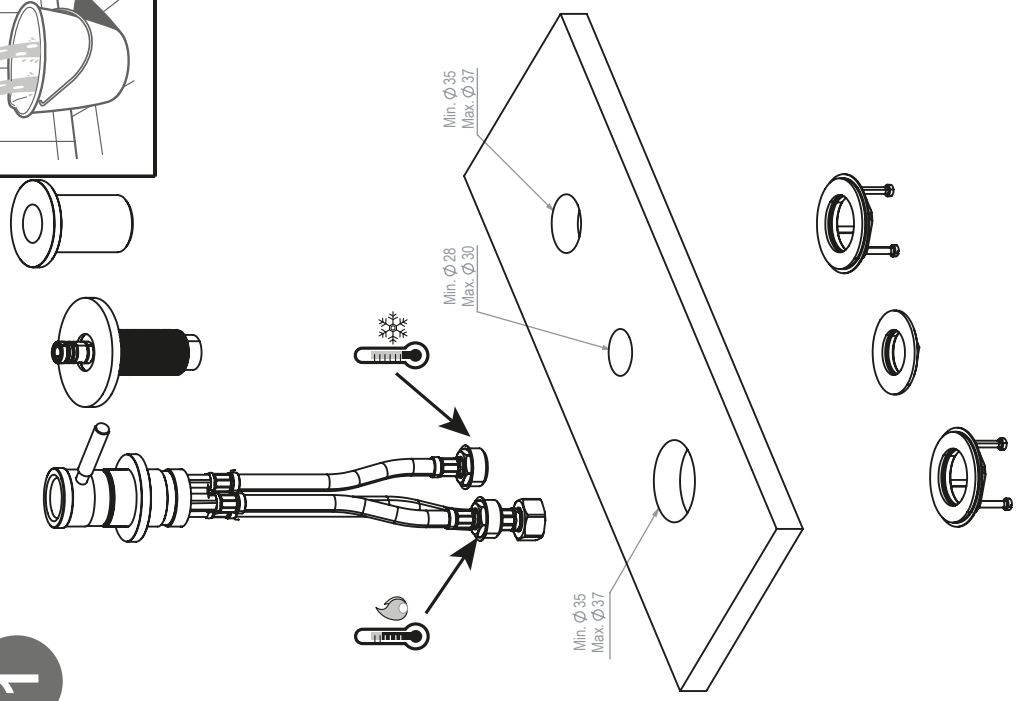
*in order to fulfil the functional long lif requirements listed by the standard EN817N

L4H

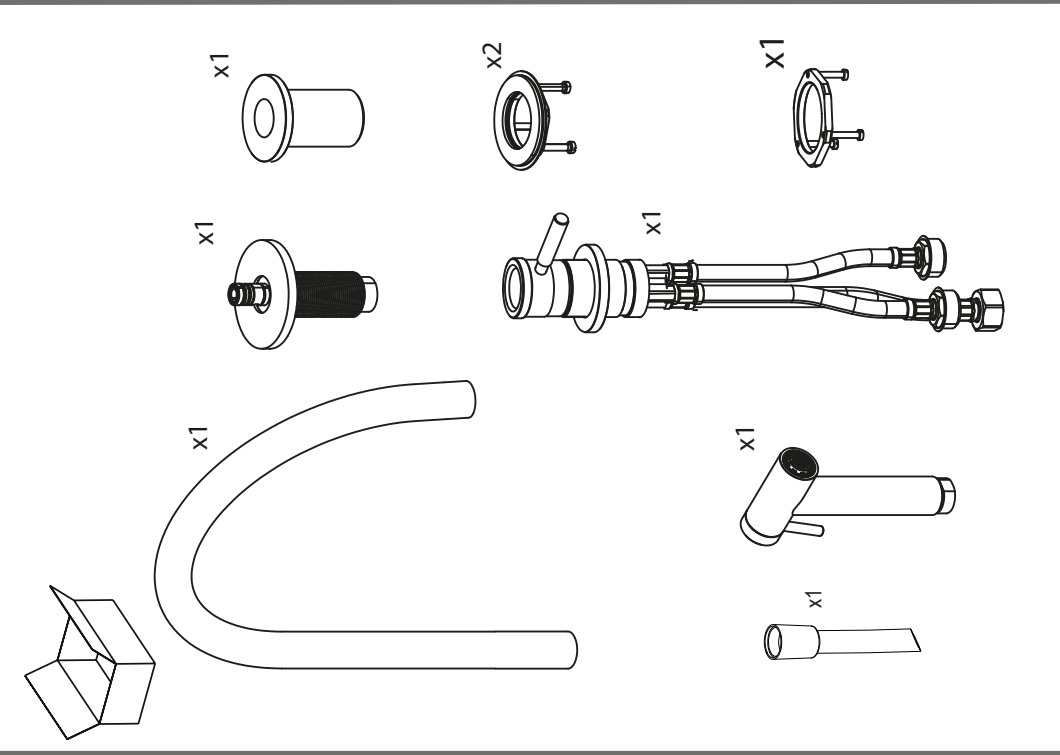
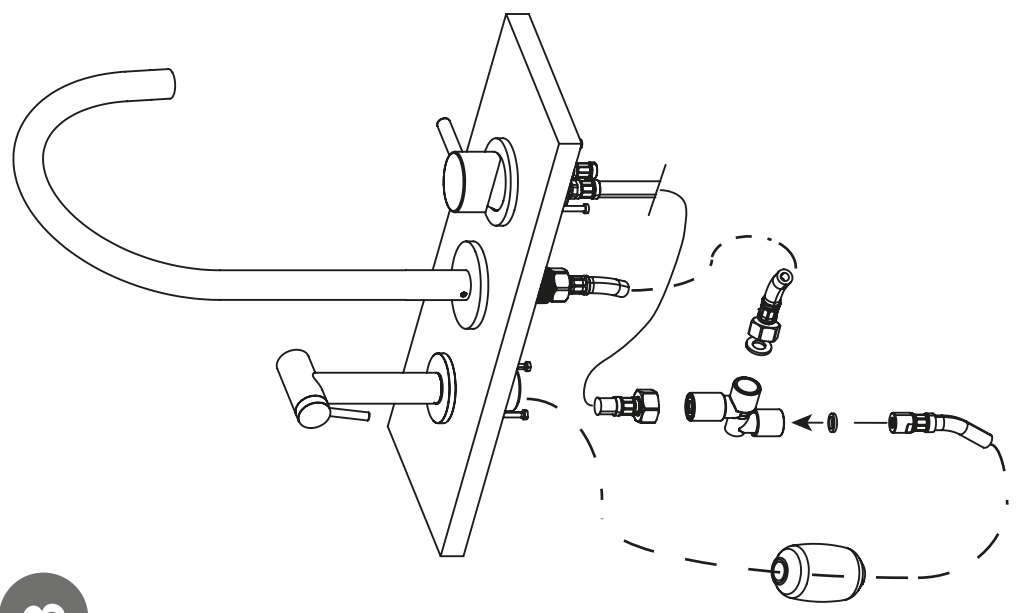




1



3



2

